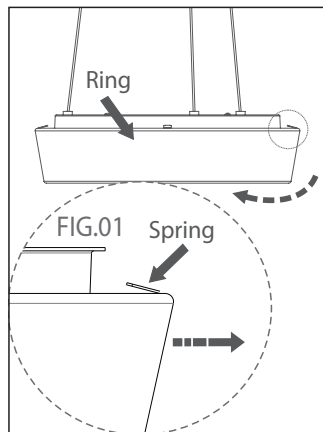
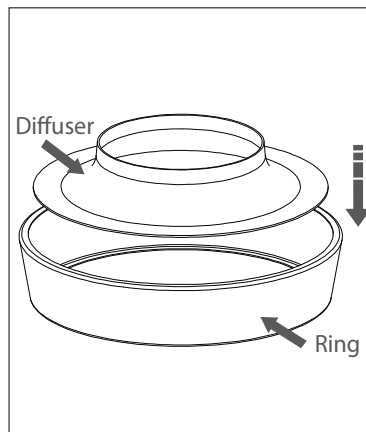


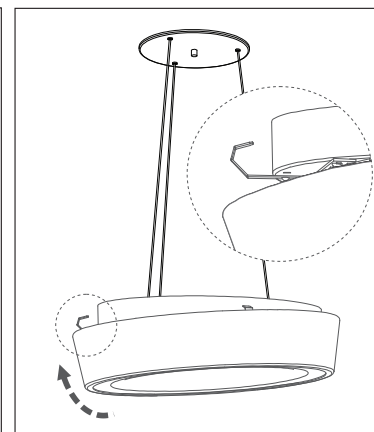
- 1° Fix the Support on the ceiling.
- 2° Adjust the height.
- 3° Install on the electrical network.
- 4° Fix the Canopy bolting the bushing on the bolt from support.



- 5° Press the spring and push the ring as shown in the fig. 01, so push down to remove the ring. (use this procedure when need to clean and maintenance).



- 6° Fit the diffuser on the ring.



- 7° Tilt the ring and rest on two of the springs so that the rest are in the direction of the flap engagement, press the Ring until you hear a clicking sound.

ML-2136 3000K 3680lm Ø23 5/8" x 3 1/3" 120V **Power:** 35W **Weight:** 6.34 lbs

Product indicated for indoor areas.

Attention

Follow the instructions to ensure proper and safe operation. We recommend that the installation be done by a qualified professional. Recessed ceiling installation requires rigid support point attachment and special installations require special attachment.

Important

Lamps, transformers, and reactors are not included with the product except as noted. Failure to follow the instructions in the manual could result in accidents and loss of warranty. Do not adjust springs and brackets unless otherwise indicated.
Warranty: 1 year for product and 5 years for Led and Driver.

Cleaning and Maintenance

Before any action turn off the electric current. Clean only with water dampened flannel, never use chemicals or abrasives. The materials that make up the product are non-toxic.