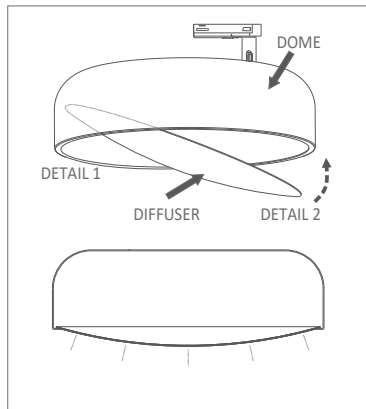
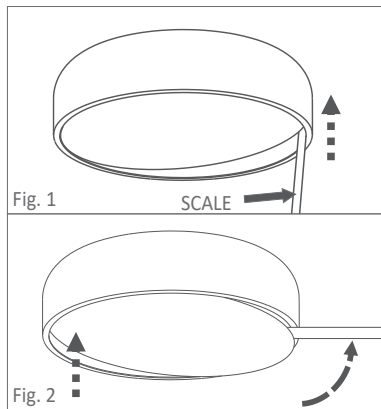


Products indicated for indoor areas



**For PLAFON:**

- 1º Mark the fixing holes on the ceiling with the help of **DOME**.
- 2º Do the electrical installation.
- 3º Attach the **DOME** to the ceiling.
- 4º Place the lamps. No use incandescent lamps.



- 5º To place the **DIFFUSER**, flex it with your hands and fit it tilted inside the piece. Without releasing it, hold up the opposite side of the piece as shown in **DET.1**, then fit the other side as shown in **DET.2**, bring it to the horizontal position as close to the edge as possible, then release it gently leaving supported inside the piece by the flaps.
- 6º Center the **DIFFUSER** so that there is no gap. Observe the correct **DIFFUSER** installation position in the figure above. Always with the convex side down.

**TO REMOVE THE DIFFUSER**

Lift one side of the **DIFFUSER** enough to position a ruler in the gap, as shown in figure 1. After positioning the ruler, lift the opposite side of the **DIFFUSER**, tilting it enough to remove it with the ruler, as shown in figure 2.

\* never use alcohol to clean the **DIFFUSER**, and always replace washable parts after complete drying.  
 \*\* Care with sharp corners and edges to avoid damage when handling it.

**ML-2210** Ø23 5/8" x 3 3/8" E26 120~277V Power Max:11W Weight:5.12lbs  
**ML-2215** Ø15 3/4" x 3 3/8" E26 120~277V Power Max:11W Weight:3.63lbs

**Attention**

Follow the instructions to ensure proper and safe operation. We recommend that the installation be done by a qualified professional. Recessed ceiling installation requires rigid support point attachment and special installations require special attachment.

**Important**

Lamps, transformers, and reactors are not included with the product except as noted. Failure to follow the instructions in the manual could result in accidents and loss of warranty. Do not adjust springs and brackets unless otherwise indicated.  
 Warranty: 1 year for product and 5 years for Led and Driver.

**Cleaning and Maintenance**

Before any action turn off the electric current. Clean only with water dampened flannel, never use chemicals or abrasives. The materials that make up the product are non-toxic.