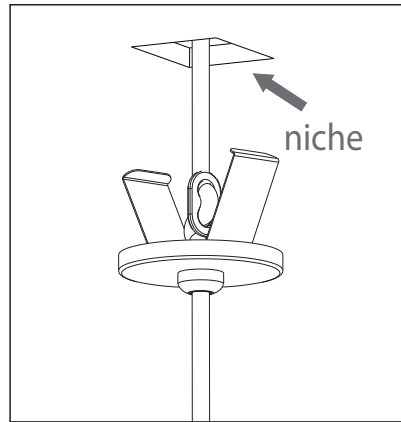
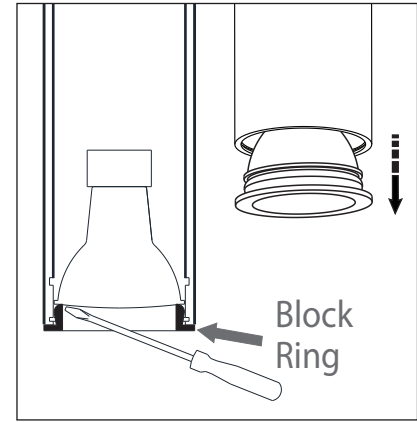


Product indicated for indoor areas.
 1° Remove the plastic CABLE LOCK and adjust the cable height.



1° Make a 25x25mm niche in the lining.
 2° Make the electrical connection
 3° Press the SPRING and fit it in the niche



*To replace the lamp, you will need remove the Block Ring.
 If have difficulty, use an screwdriver as indicated on the figure above.

ML-2176	2700K	250lm	Ø1 1/2" x 6"	120V	Power: 3W	Weight: 1.08 lbs
ML-2177	2700K	250lm	Ø1 1/2" x 11 5/8"	120V	Power: 3W	Weight: 1.16 lbs
ML-2178	2700K	250lm	Ø1 1/2" x 23 1/2"	120V	Power: 3W	Weight: 2.38 lbs

Product indicated for indoor areas.

Attention

Follow the instructions to ensure proper and safe operation. We recommend that the installation be done by a qualified professional. Recessed ceiling installation requires rigid support point attachment and special installations require special attachment.

Important

Lamps, transformers, and reactors are not included with the product except as noted. Failure to follow the instructions in the manual could result in accidents and loss of warranty. Do not adjust springs and brackets unless otherwise indicated.
 Warranty: 1 year for product and 5 years for Led and Driver.

Cleaning and Maintenance

Before any action turn off the electric current. Clean only with water dampened flannel, never use chemicals or abrasives. The materials that make up the product are non-toxic.