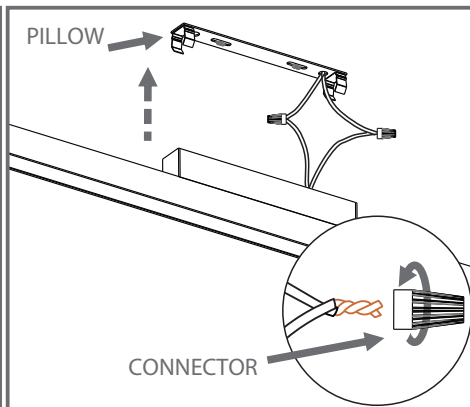
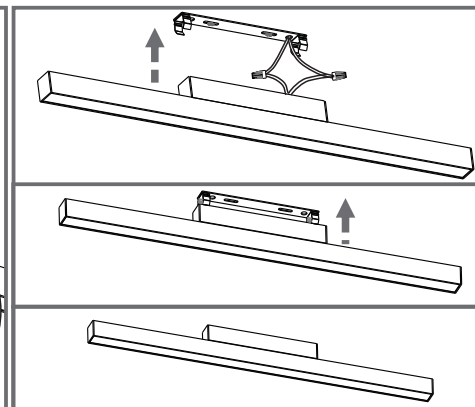


Product indicated for indoor areas.
1º Fix the pillow using the fixing kit included in the product. (Bushing / Screw)



2º Use the connectors inside to finish the electrical installation.



3º Push the fixture against the pillow until hear a "click" from the spring.

OBS.: Let the electrical wire waiting in the pillow hole.

ML-2250 3000K 6600lm 120V 45 1/4"x3"x1 1/5"
ML-2251 4000K 6600lm 120V 45 1/4"x3"x1 1/5"
ML-2252 3000K 6600lm 120V 45 1/4"x3"x1 1/5"
ML-2253 4000K 6600lm 120V 45 1/4"x3"x1 1/5"

Weight 2.51 lbs
Weight 2.51 lbs
Weight 2.51 lbs
Weight 2.51 lbs

Power 48W
Power 48W
Power 48W
Power 48W

ML-2270 3000K 2200LM 120V 22 7/8"x2 1/3"x1"
ML-2271 3000K 2200LM 120V 22 7/8"x2 1/3"x1"
ML-2272 3000K 4400LM 120V 44 7/8"x2 1/3"x1"
ML-2273 3000K 4400LM 120V 44 7/8"x2 1/3"x1"

Weight 0.97 lbs
Weight 0.97 lbs
Weight 1.62 lbs
Weight 1.62 lbs
Power 16W
Power 16W
Power 32W
Power 32W

Attention

Follow the instructions to ensure proper and safe operation. We recommend that the installation be done by a qualified professional. Recessed ceiling installation requires rigid support point attachment and special installations require special attachment.

Important

Lamps, transformers, and reactors are not included with the product except as noted. Failure to follow the instructions in the manual could result in accidents and loss of warranty. Do not adjust springs and brackets unless otherwise indicated.
 Warranty: 1 year for product and 5 years for Led and Driver.

Cleaning and Maintenance

Before any action turn off the electric current. Clean only with water dampened flannel, never use chemicals or abrasives. The materials that make up the product are non-toxic.